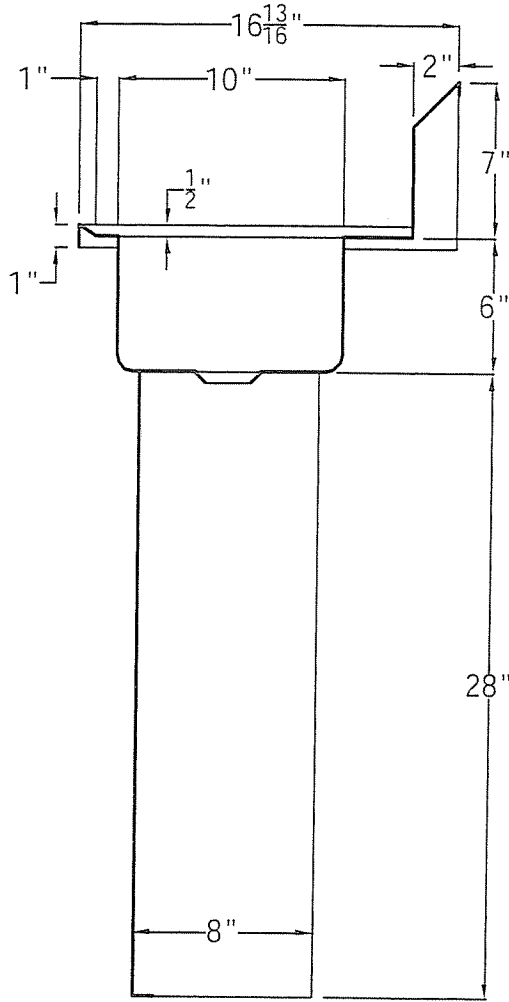


PL9



CUSTOMER: THE KROGER CO.	QTY.: SEE P.O.	REV.: 120705BS
ATTENTION: THIS DRAWING IS THE ONLY DOCUMENT THAT DESCRIBES THIS ITEM. NO P.O., ORDER, OR PURCHASE DOCUMENT WILL BE CONSIDERED. WE ARE FULLY RESPONSIBLE FOR ALL DIMENSIONS.	APPROVAL DATE:	
	<input type="checkbox"/> APPROVED BY:	
JOB NAME: KROGER	<input type="checkbox"/> RESUBMIT BY:	



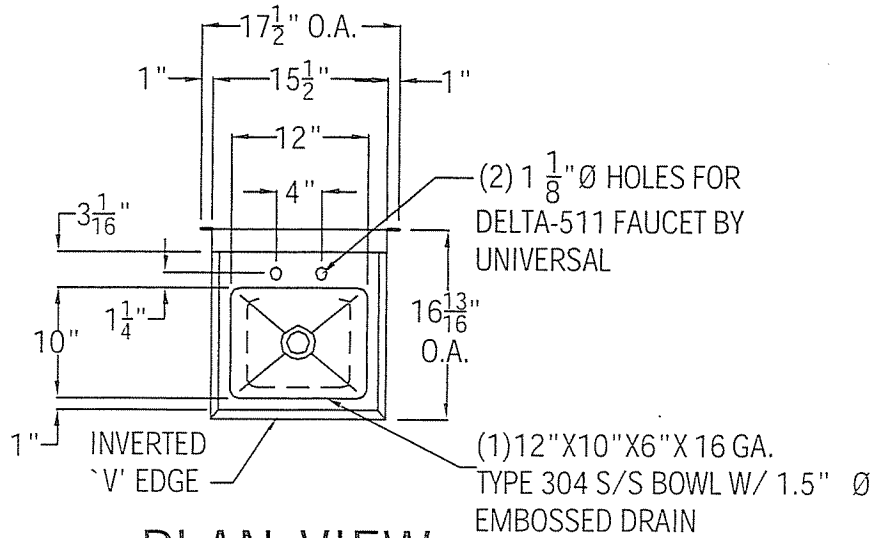
SECTION
SCALE: 1-1/2" = 1'-0"

P:\Project K...ERIK-CHS-1-PED.dwg, 1/4/2007 7:51:56 AM

MODEL: KROGER ITEM #060-00009268	ITEM #: ITEM #27	DRAWING #: K-CHS-1-PED
TITLE: K-CHS-1-PED FLOOR MOUNT HAND SINK	DRAWN BY: BLS	DATE DRAWN: 12/07/05

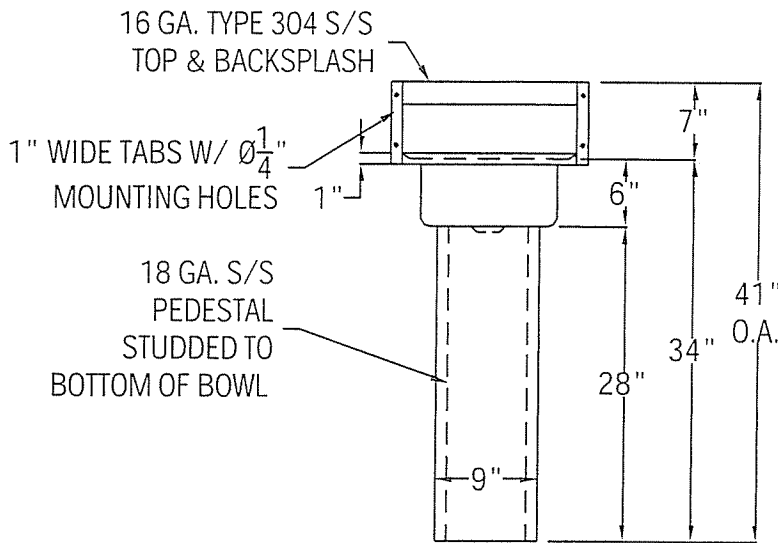


CUSTOMER: THE KROGER CO.	QTY.: SEE P.O.	REV.: 120705BS
ATTENTION: THIS DRAWING IS THE ONLY DOCUMENT THAT DEFINES THIS ITEM. NO P.O., VERBAL OR WRITTEN DECLARATION WILL BE CONSIDERED. YOU ARE FULLY RESPONSIBLE FOR ALL DIMENSIONS.	<input type="checkbox"/> APPROVED BY:	
JOB NAME: KROGER	<input type="checkbox"/> RESUBMIT BY:	



PLAN VIEW

SCALE: 3/4" = 1'-0"



ELEVATION

SCALE: 3/4" = 1'-0"

P:\Project\KROGER\ERIK-CHS-1-PED.dwg, 1/4/2007 7:51:48 AM

MODEL: KROGER ITEM #060-00009268	ITEM #: ITEM #27	DRAWING #: K-CHS-1-PED
TITLE: K-CHS-1-PED FLOOR MOUNT HAND SINK	DRAWN BY: BLS	DATE DRAWN: 12/07/05